

Linear central guides

Flat profile, stainless steel, PEEK

GUIDE PROFILE

AISI 304 stainless steel with technopolymer coating (PEEK), grey colour.

BRACKET

Anodised aluminium.

FEATURES AND APPLICATIONS

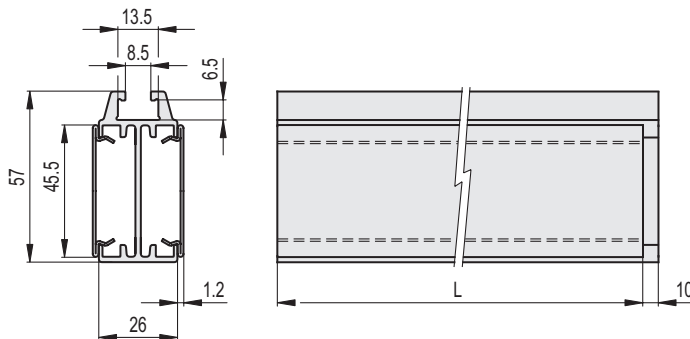
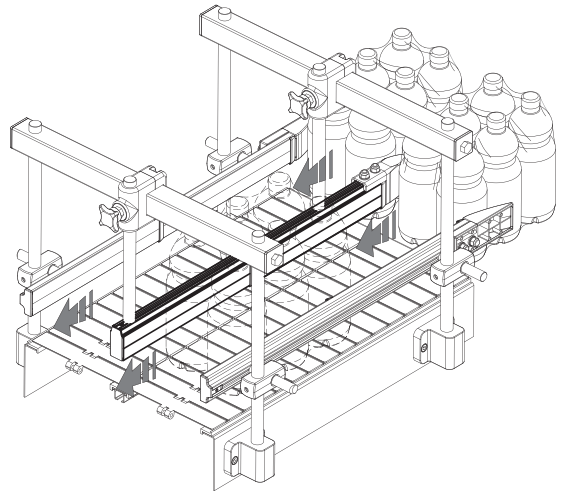
GLF central guides are generally used to laterally guide bundles of heat-shrinkable polyethylene film on conveyor belts. The PEEK coating ensures minimal rolling resistance of the product and is also suitable for high-temperature applications.

Minimum coating thickness 40 μ , maximum 50 μ .

Supplied in bars of 1500 or 3000 mm length.

ACCESSORIES ON REQUEST

- BDG: connecting plate for guides.
- TGLF: closing cap for guides.
- GGLF: linear guide joint.
- PGC-2: separation block for central guide.
- MPG-P: guide assembly pin.
- MPG-V: zinc-plated steel hammer head screw.



STAINLESS STEEL

Code	Description	L	Δ
419091	GCF-46-1500	1500	2250
419092	GCF-46-2990	2990	4500